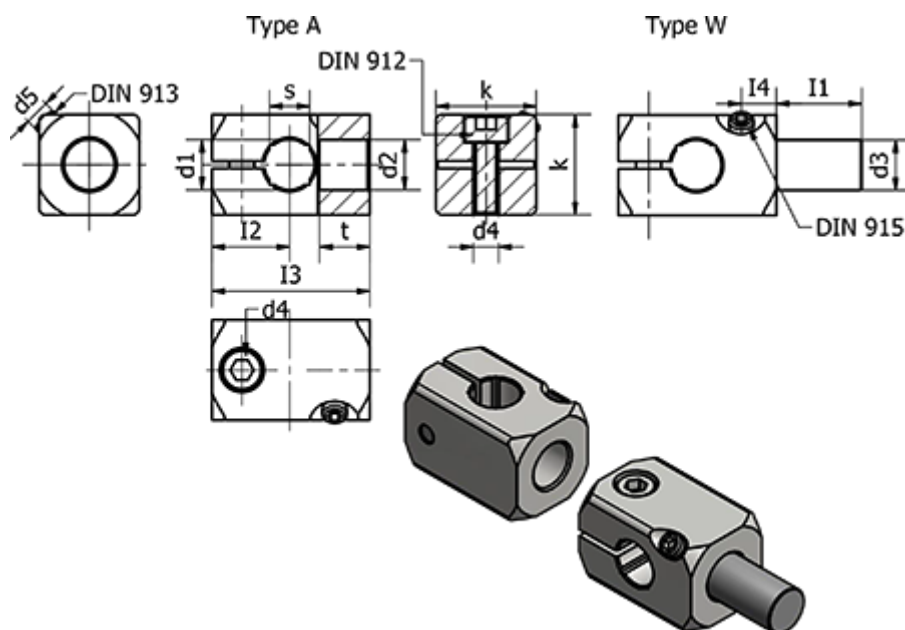


Article number: 20476B16B16AMT

Description: E+G T-clamp mounting - GN 476-B16-B16-A-MT

Measures



| | | | |
|------------------------------------|------|------------|------|
| Clamping kit for d4 = GN 511-M6-25 | l3 | = 45 | |
| d1 | = 16 | l4 | = 11 |
| d2 | = 16 | k | = 25 |
| d3 | = | s | = |
| d4 | = M6 | t | = 16 |
| d5 | = M6 | Weight (g) | = 54 |
| l1 | = 24 | | |
| l2 | = 20 | | |